

SDM320E

Single-Phase 3 Wires Energy Meters



User Manual

2016 V1.2

Application

The SDM320E “with a LCD screen for perfect reading”, are used to measure single-phase 3 wires application. The meter measures active energy meter (kWh) with a pulse output. The meter comply with IEC62053-21, IEC62052-11 standard.

General Specifications

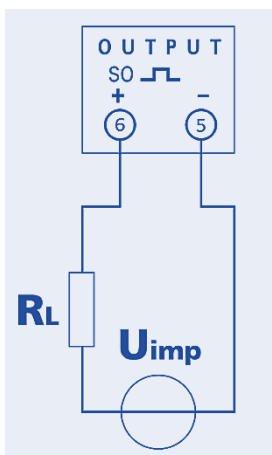
Reference voltage,Un	110 /120 / 220V L-N 220 /240 / 380V L-L
Base Current (Ib)	10A
Max. Current (Imax)	100A
Mini Current (Imin)	0.5A
Starting current	0.4% of Ib
Power consumption	<2W/10VA
Frequency	50/60Hz(±10%)
AC voltage withstand	4KV for 1 minute
Impulse voltage withstand	6KV-1.2uS waveform
Overcurrent withstand	30Imax for 0.01s
Pulse output rate	1600imp/kWh
Display	LCD
Max. Reading	99999.99kWh
Active energy	Class 1 IEC62053-21

Environment

Operating temperature	-25℃ to +55℃
Storage and transportation temperature	-40℃ to +70℃
Reference temperature	23℃ ± 2℃
Relative humidity	0 to 95%, non-condensing
Altitude	up to 2500m
Warm up time	10s
Mechanical Environment	M1
Electromagnetic environment	E2
Degree of pollution	2

Pulse Output

The meter provides a pulse output, which is passive type. The constant is 1600imp/kWh.

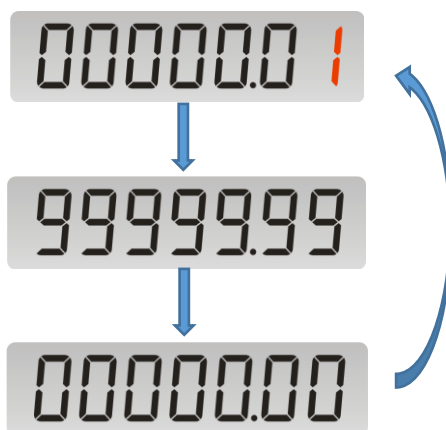


ATTENTION: Pulse output must be fed as shown in the wiring diagram below. Scrupulously respect polarities and the connection mode.
 Opto-coupler with potential-free SPST-NO Contact
 Contact range: 5~27VDC Max. current Input: 27mA DC

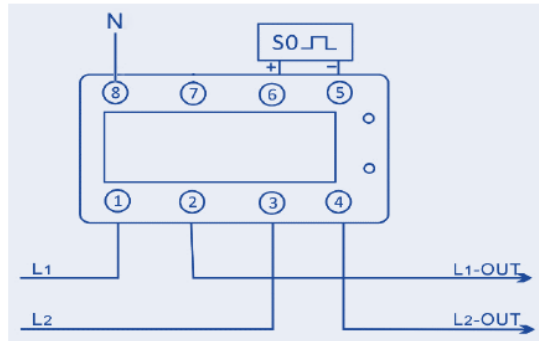
Mechanics

Din rail dimensions	76x100x66 (WxHxD) DIN 43880
Mounting	DIN rail 35mm
Sealing	IP51 (indoor)
Material	self-extinguishing UL94V-0

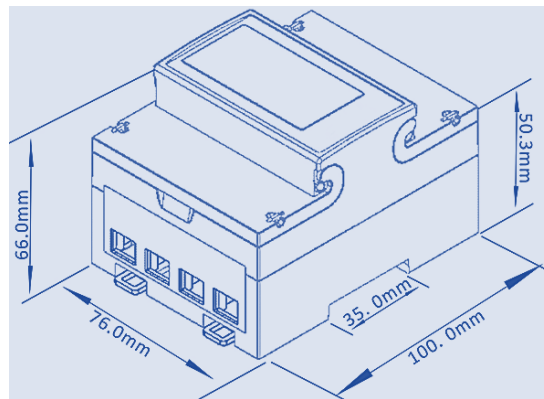
SDM320E display



Wiring diagram



Dimensions



Installation

